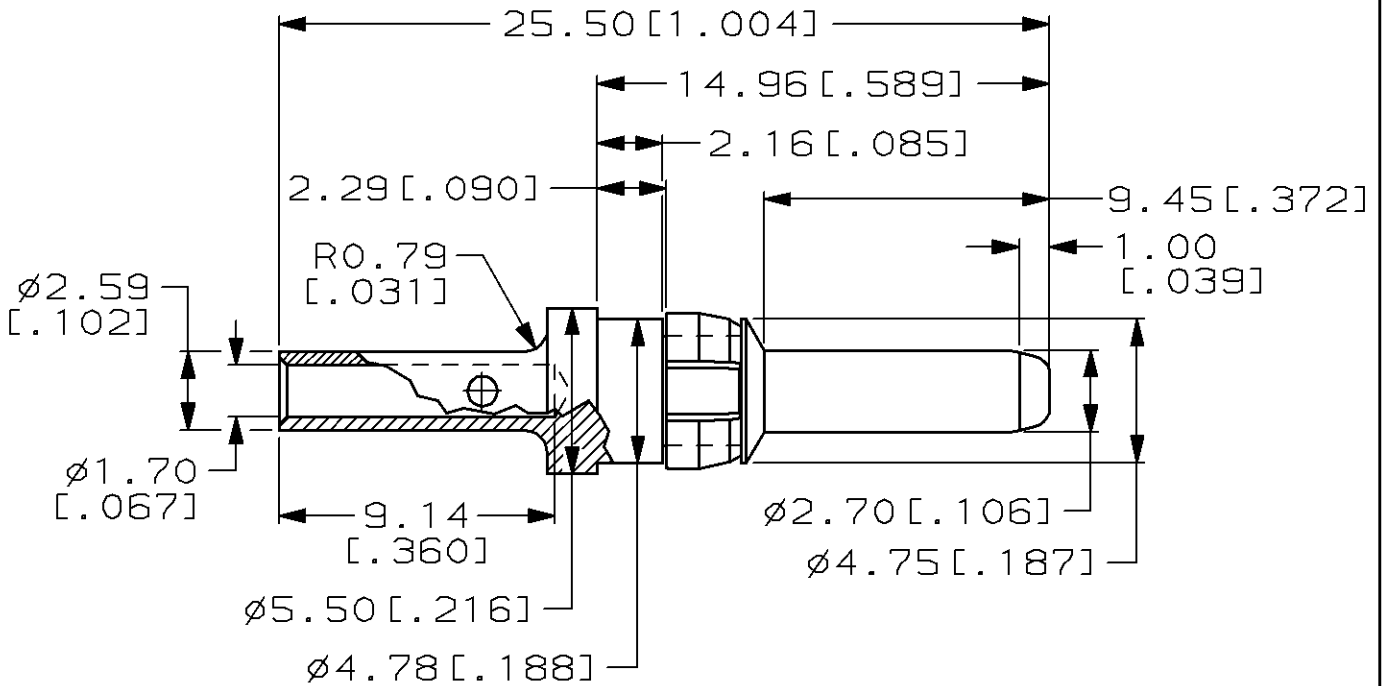


LOC AD	DIST 25	REVISIONS			
P	LTR	DESCRIPTION	DATE	DWN	APVD
	0	DRAWN	-	-	-

1. WIRE BARREL WILL ACCEPT 16-18 AWG WIRE.
2. MATES WITH PART NUMBER 148416-1.
3. RECOMMENDED CRIMPING TOOL: DANIELS TOOL #FT8, POSITIONER PART NUMBER TP1211, SETTING #7 (16 AWG), SETTING #6 (18 AWG), STRIP LENGTH 8.13 [.320].



RELEASED FOR PUBLICATION

THIS DRAWING IS UNPUBLISHED. BY AMP INCORPORATED. ALL RIGHTS RESERVED. COPYRIGHT 19

0.00076 [.000030] GOLD	CONTACT; BRASS	148409-1
	RETAINING RING; BERYLLIUM COPPER	
CONT AREA FINISH	MATERIAL	PART NUMBER

DIMENSIONS: mm	DWN L. BRINER	10/14/97	MATERIAL	-	FINISH	-
	CHK R. PATTERSON	10/14/97	AMP Incorporated Harrisburg, PA 17105-3608			
TOLERANCES UNLESS OTHERWISE SPECIFIED:	APVD R. PATTERSON	10/14/97				
0 PLC ±-	PRODUCT SPEC	-	NAME PIN CONTACT, POWER, EUROCARD TYPE M, 10 AMP			
1 PLC ±-	APPLICATION SPEC	-	SIZE	CAGE CODE	DRAWING NO	RESTRICTED TO
2 PLC ±-			A4	00779	C-148409	-
3 PLC ±-	WEIGHT	-	CUSTOMER DRAWING			
4 PLC ±-			SCALE	4:1	SHEET	1 OF 1
ANGLES ±-					REV	0